

LAZER

HIGH PERFORMANCE LIGHTING

T-24



For off-road applications, where customers want to see EVERYTHING, the T-24 sets the standard by which others try to follow. Delivering a staggering amount of light, the 24 x 11 Watt LEDs use our Dual-Optic reflector system to achieve huge spread close to the vehicle, plus big distance from the Vacuum metallised reflector. Our Flexi-Mount system also provides versatility, with the mounts able to slide along the lamp to suit vehicle mounting points. Side mounts are also included as standard, to give the customer alternative mounting possibilities.

LAZER
HIGH PERFORMANCE LIGHTING

LAZER T-24



HYBRID OPTIC LED DRIVING LAMPS

T-24

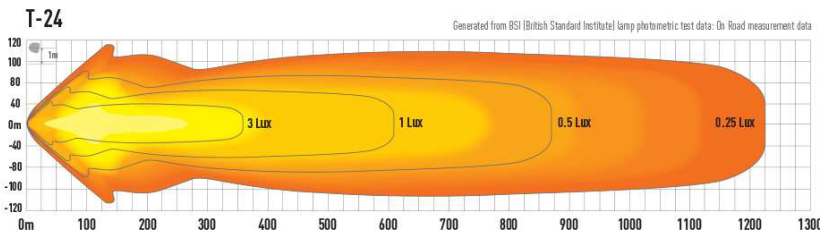
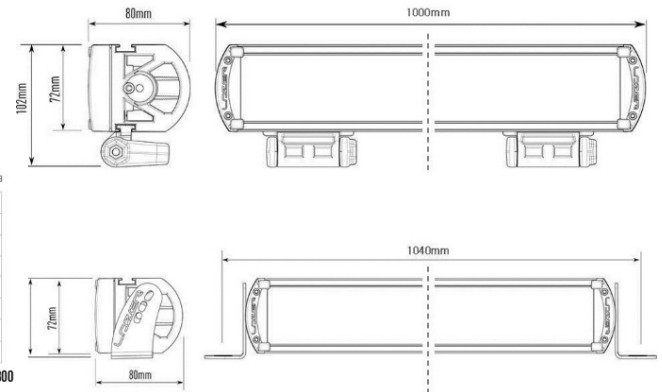


TECHNICAL SPECIFICATIONS

E-MARK REF	N/A
VOLTAGE RANGE	9V-32V
RAW LUMENS	20830
BEAM PATTERN	Hybrid
OPTICAL EFFICIENCY	88%
BEAM DISTANCE (0.25LX)	1224m
# HIGH POWER LEDS	24
POWER CONSUMPTION	264 Watts
CURRENT DRAW**	18.2 Amps
LED LIFE	50,000 Hrs*
WEIGHT	3200 Grams

* LED Manufacturers Specifications ** At 14.4 Volts

- Dual optic reflector system delivers class leading distance and mid/long-range spread of light
- Superior build quality to withstand the most extreme off-road conditions
- Highest output LED 'bins' selected for optimal performance
- CAE optimised heatsink and electronic thermal management
- 'Unbreakable' polycarbonate lens



MOUNTING OPTIONS



(Side Brackets Sold Separately)

LAZER LAMPS LTD
 Unit 2 Pages Old Mill, Tamworth Road, Hertford, SG13 7DG, UK
 Tel: +44(0)1992 677071
 Email: sales@lazerlamps.com
 www.lazerlamps.com

