

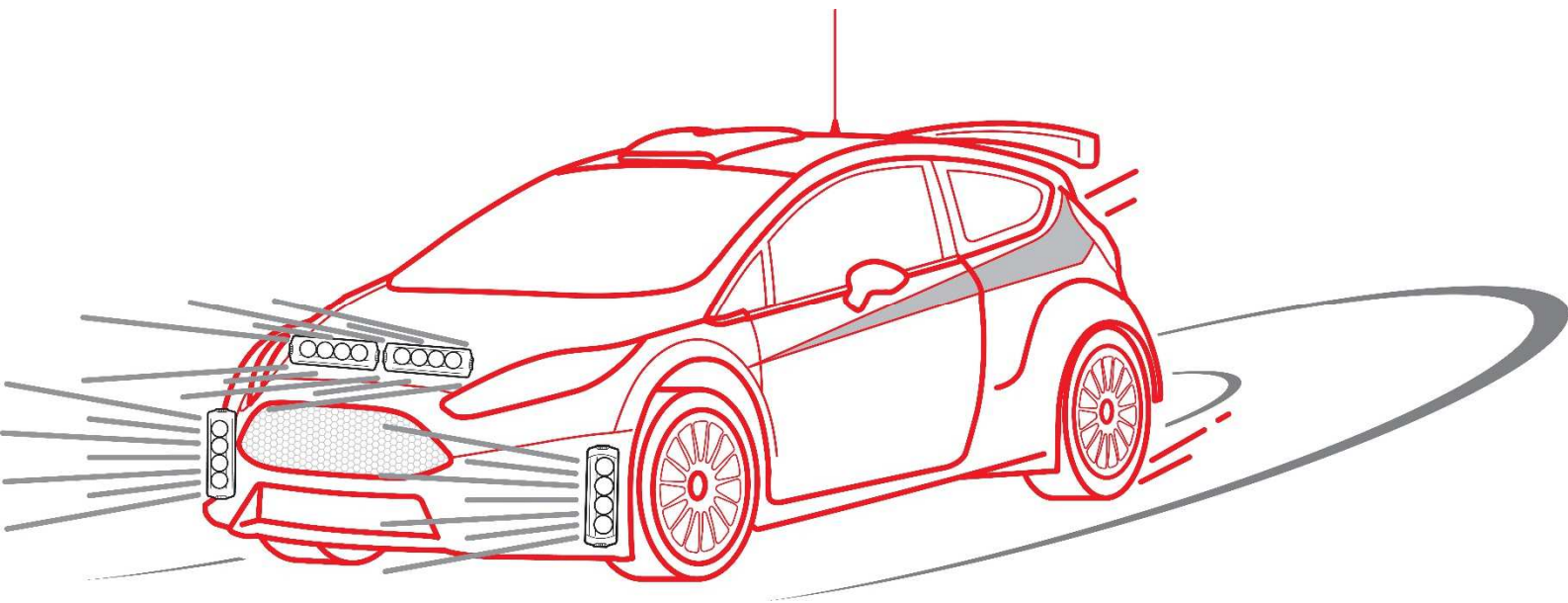
TRIPLE-R

COMPETITION

16



For maximum light output with minimal fuss, the Triple-R 16 Competition delivers a level of high intensity illumination that is quite simply unmatched. Far exceeding the light output of full rally spec HID systems, but with lower weight and less power consumption, the product can be fitted with Reeded lenses in order to create spot-beam and wide angle optics all from one lamp. Comprising 16 high power LEDs, the Triple-R 16 Competition comes with our side bracket kit, but for ultimate robustness of fixing, we recommend the use of our Boomer-Side-Mount system.



**ULTRA LONG-RANGE
LED DRIVING LAMPS**

TRIPLE-R

16 COMPETITION



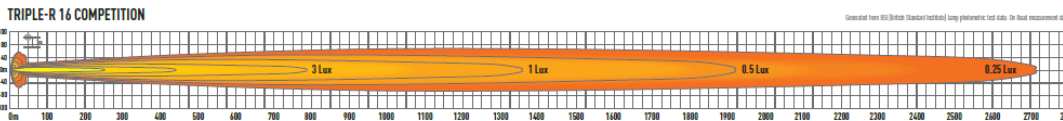
- Ultra long range boost optics
- Latest LED technology to achieve maximum range
- Triple-R Charged Air Cooling System™
- CAE optimised heatsink
- Electronic thermal management
- 'Unbreakable' polycarbonate lens
- IP67 watertight
- 5 year warranty
- Designed & manufactured in Britain



TECHNICAL SPECIFICATIONS

E-MARK REF	N/A
VOLTAGE RANGE	9V-32V
RAW LUMENS	16000
BEAM PATTERN	Spot
OPTICAL EFFICIENCY	96%
BEAM DISTANCE (0.25LX)	2721m
# HIGH POWER LEDS	16
POWER CONSUMPTION	184 Watts
CURRENT DRAW**	12.8 Amps
LED LIFE	50,000 Hrs*
WEIGHT	2450 Grams

* LED Manufacturers Specifications ** At 14.4 Volts



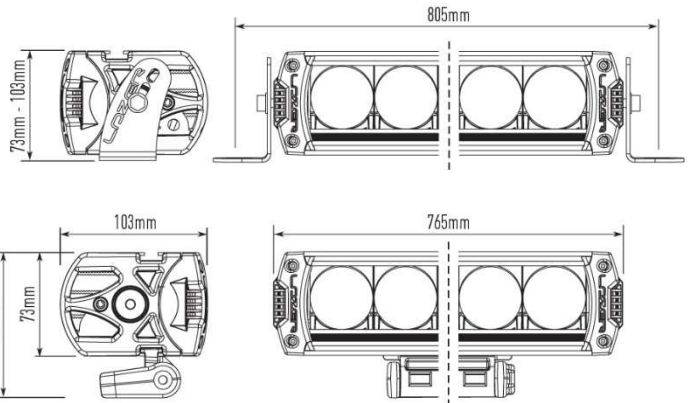
MOUNTING OPTIONS



(Side Brackets included)



(Boomer Kit sold separately)



LAZER LAMPS LTD

Unit 2 Pages Old Mill, Tamworth Road, Hertford, SG13 7DG, UK

Tel: +44(0)1992 677071

Email: sales@lazerlamps.com

www.lazerlamps.com

