

X9

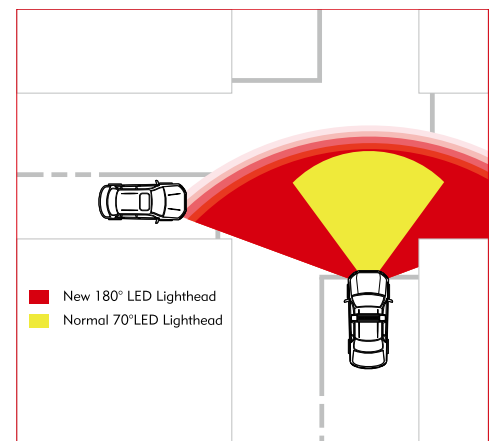
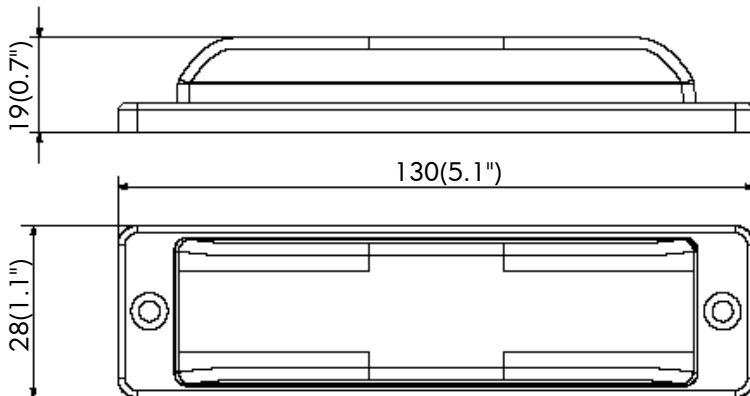
LED LIGHTHEAD

ITEM:021801



Adjusts for day or night mode, reducing by 50% power

1. No visible screws. Modern and beautiful look. Newest lens design.
2. Smaller in size. Modularized design. Applicable in all locations.
3. Brightness exceeds Class 2 standard. Brightness adjustable.
4. Can be synced with other 911 signal products
5. Lens made from PMMA, durable and UV-resistant. Housing made from ABS. Base made from
6. aluminum alloy that is corrosion-resistant and can counter extreme weathers.
7. 6 inches long 5 core wire
8. Meets and exceeds SAE J595, ECE R65, ECE R10, CA Title 13



Code	Item	Color	Voltage	Max Power	LED	Flash Pattern	Lens	Certificate	Mount
X9	021801A	●	10-33V	22W	3W 9Pcs	19	LIN	ECE R65 ECE R10 SAE J595 CA Title 13	Surface Mount Bracket Mount (Optional)
	021801B	●							
	021801R	●							
	021801W	○							
	021801AW	● ○							
	021801BR	● ●							