

TRIPLE-R

28 STANDARD



The Triple-R light bar range brings motorsport and world rally performance to the off-road market. At 51", the Triple-R 28 is our biggest and most powerful LED lighting system which when used for night-time and low-light off-road driving and recreation, delivers an unrivalled level of long-range illumination surpassing all others.

Tuned for a spot beam pattern, while still achieving a decent spread of light in the mid-long range, the Triple-R 28 comprises 28 high power LEDs producing 25,200 lumens at only 315 watts. The light delivers 1 lux at a staggering distance of 1273m, while through the use of the Triple-R Reeded Lens system, the beam pattern can be easily tailored to provide additional spread when, or if, required.



**ULTRA LONG-RANGE
LED DRIVING LAMPS**

TRIPLE-R

28 STANDARD



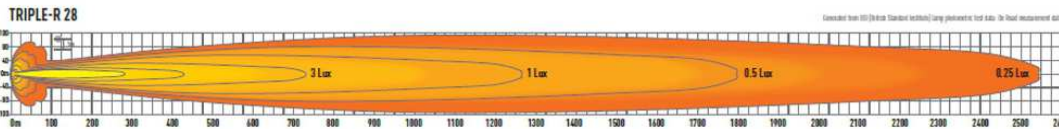
- Ultra long range optics
- High output LED's from world leader in LED technology
- CAE optimised heatsink
- Electronic thermal management
- 'Unbreakable' polycarbonate lens
- Supplied with vehicle wiring kit (8216-12V-SW) and both Side Brackets (1118K) and sliding Centre Mounts (1114K)
- Designed & manufactured in Britain



TECHNICAL SPECIFICATIONS

E-MARK REF	27.5
VOLTAGE RANGE	9V-32V
RAW LUMENS	25200
BEAM PATTERN	Spot
OPTICAL EFFICIENCY	92%
BEAM DISTANCE (0.25LX)	2546m
# HIGH POWER LEDS	28
POWER CONSUMPTION	315 Watts
CURRENT DRAW**	21.9 Amps
LED LIFE	50,000 Hrs*
WEIGHT	3900 Grams

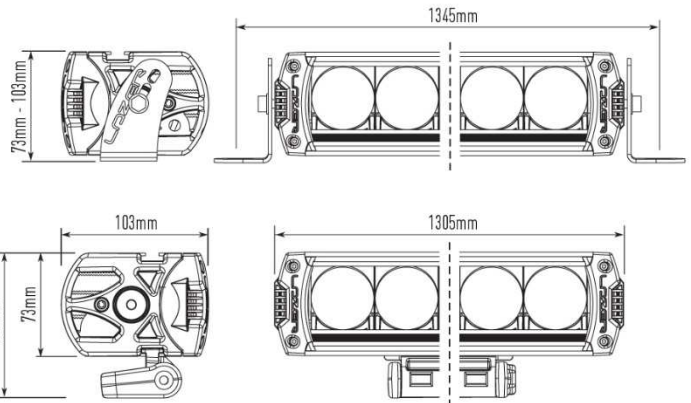
* LED Manufacturers Specifications ** At 14.4 Volts



MOUNTING OPTIONS



(Side Brackets Sold Separately)



LAZER LAMPS LTD

Unit 2 Pages Old Mill, Tamworth Road, Hertford, SG13 7DG, UK

Tel: +44(0)1992 677071

Email: sales@lazerlamps.com

www.lazerlamps.com

LAZER

HIGH PERFORMANCE LIGHTING

