

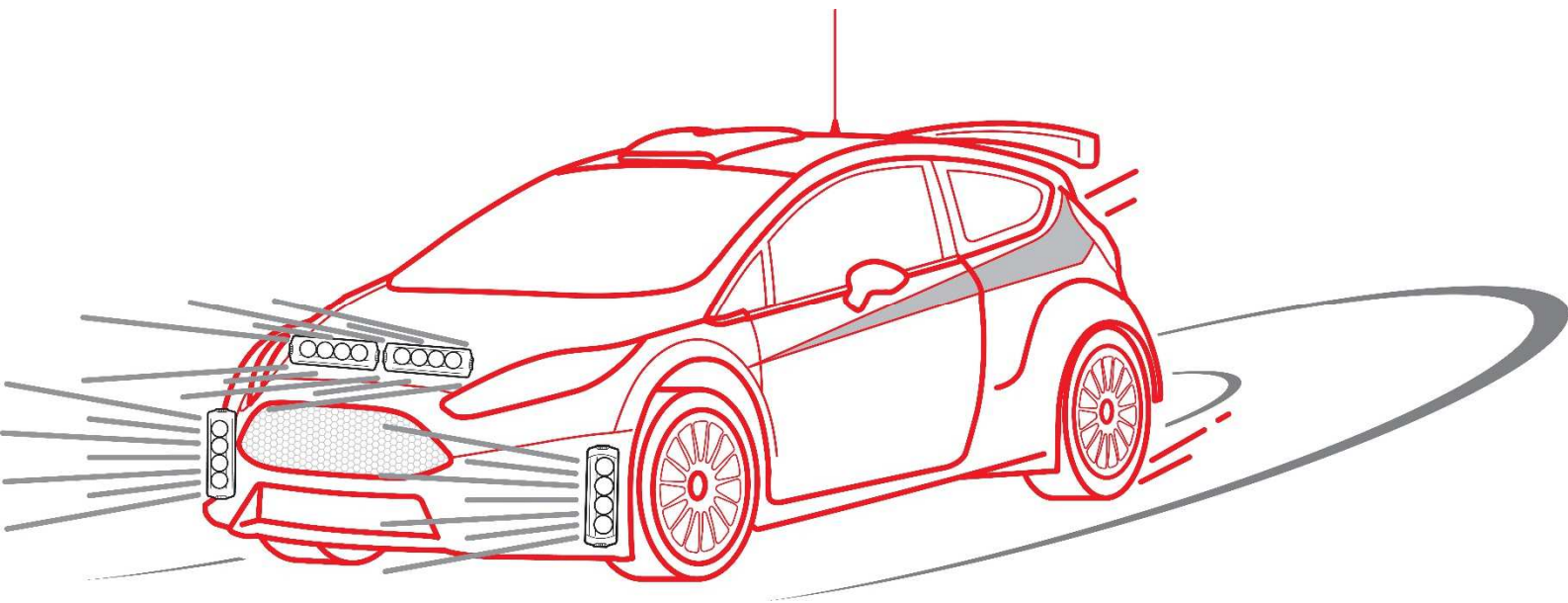
TRIPLE-R

COMPETITION

750



It is through a relentless pursuit of maximising light output, minimising weight, and power consumption, that the Triple-R Competition is now the lighting system of choice for leaders in the world of rally and endurance motorsport. Designed for use principally as cornering lights, to be used in conjunction with the Triple-R Reeded Lens, the Triple-R Competition 750 comes E-mark certified thanks to the utilisation of the patented E-Boost system. This allows the light to operate either in road-legal mode, or at full output when the supplied E-Boost cap is fitted to the back of the lamp.



ULTRA LONG-RANGE LED DRIVING LAMPS

TRIPLE-R

750 COMPETITION

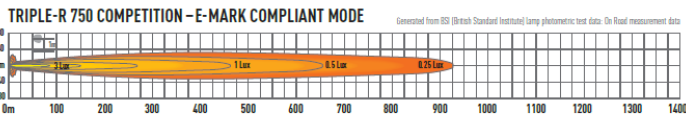
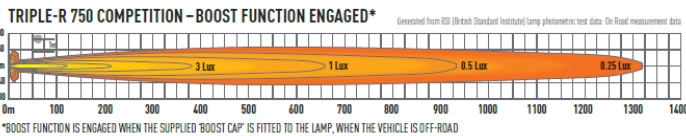


- Ultra long range boost optics
- Latest LED technology to achieve maximum range
- Triple-R Charged Air Cooling System™
- CAE optimised heatsink
- Electronic thermal management
- 'Unbreakable' polycarbonate lens
- Designed & manufactured in Britain



TECHNICAL SPECIFICATIONS

E-MARK REF	N/A
VOLTAGE RANGE	9V-32V
RAW LUMENS	8640
BEAM PATTERN	Spot
OPTICAL EFFICIENCY	96%
BEAM DISTANCE (0.25LX)	1319 / 927m
# HIGH POWER LEDS	4
POWER CONSUMPTION	46 / 28 Watts
CURRENT DRAW**	3.2 / 1.9 Amp
LED LIFE	50,000 Hrs*
WEIGHT	810 Grams



* LED Manufacturers Specifications ** At 14.4 Volts

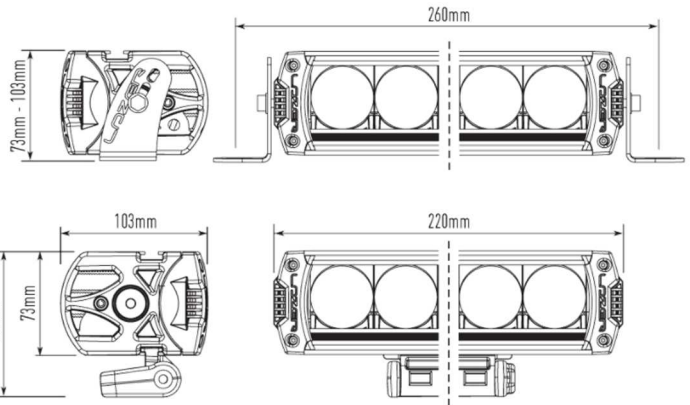
MOUNTING OPTIONS



(Side Brackets included)



(Boomer Kit sold separately)



LAZER LAMPS LTD
 Unit 2 Pages Old Mill, Tamworth Road, Hertford, SG13 7DG, UK
 Tel: +44(0)1992 677071
 Email: sales@lazerlamps.com
 www.lazerlamps.com

LAZER
 HIGH PERFORMANCE LIGHTING

