

# TRIPLE-R

## 24 STANDARD



The Triple-R light bar range brings motorsport and world rally performance to the off-road market. Compared with the equivalent hybrid optic (T-24) product, the Triple-R 24 delivers 5x the peak intensity to deliver a mid-long range LED solution which leaves little to the imagination for all night-time off-road driving and recreational use.

Tuned for a spot beam pattern, while still achieving a decent spread of light in the mid-long range, the Triple-R 24 comprises 24 high power LEDs producing 21,600 lumens at only 270 watts. The light delivers 1 lux at an awe-inspiring distance of 1100m; while at 44" in length, the light is the perfect match of maximum illumination with feasible mounting options for many off-road vehicles. Through the use of the Triple-R Reeded Lens system, the beam pattern can be easily tailored to provide additional spread when, or if, required.



**ULTRA LONG-RANGE  
LED DRIVING LAMPS**

# TRIPLE-R

## 24 STANDARD



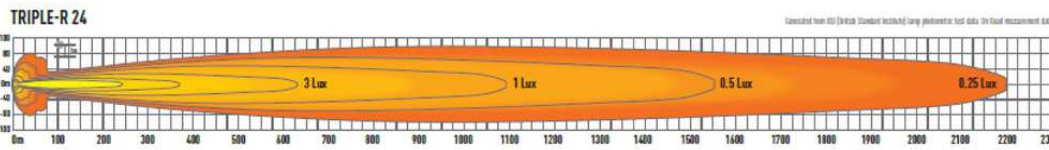
- Ultra long range optics
- High output LED's from world leader in LED technology
- CAE optimised heatsink
- Electronic thermal management
- 'Unbreakable' polycarbonate lens
- Supplied with vehicle wiring kit (8216-12V-SW) and both Side Brackets (1118K) and sliding Centre Mounts (1114K)
- Designed & manufactured in Britain



### TECHNICAL SPECIFICATIONS

E-MARK REF	27.5
VOLTAGE RANGE	9V-32V
RAW LUMENS	21600
BEAM PATTERN	Spot
OPTICAL EFFICIENCY	92%
BEAM DISTANCE (0.25LX)	2200m
# HIGH POWER LEDS	24
POWER CONSUMPTION	270 Watts
CURRENT DRAW**	18.75 Amps
LED LIFE	50,000 Hrs*
WEIGHT	3420 Grams

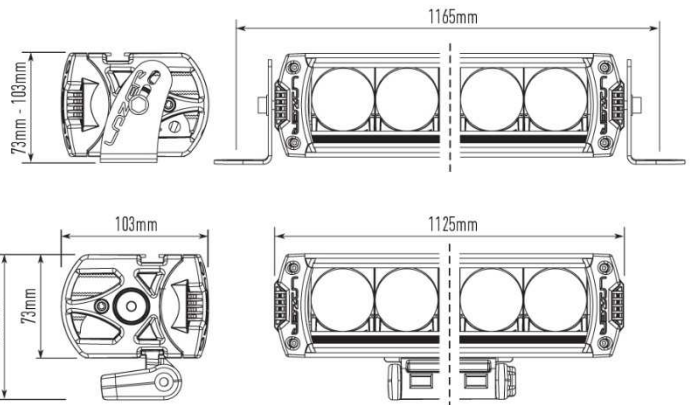
\* LED Manufacturers Specifications \*\* At 14.4 Volts



### MOUNTING OPTIONS



(Side Brackets Sold Separately)



#### LAZER LAMPS LTD

Unit 2 Pages Old Mill, Tamworth Road, Hertford, SG13 7DG, UK

Tel: +44(0)1992 677071

Email: sales@lazerlamps.com

www.lazerlamps.com

# LAZER

HIGH PERFORMANCE LIGHTING

