

LAZER

HIGH PERFORMANCE LIGHTING

ST-8



The ST-8 delivers a phenomenal amount of light (1 lux at 331m), employing our *Dual-Optic* reflector system to achieve a fantastic spread of light close to the vehicle and in the mid-range, while the vacuum metallized reflector achieves excellent distance. High output 11 Watt LEDs, combine with advanced thermal management systems for optimising light output under all conditions. Fully road legal in Europe, the homogenous beam pattern, combined with near daylight colour of light, make driving in low light conditions a safer and more enjoyable experience.

LAZER
HIGH PERFORMANCE LIGHTING

LAZER ST-8



HYBRID OPTIC LED DRIVING LAMPS

ST-8

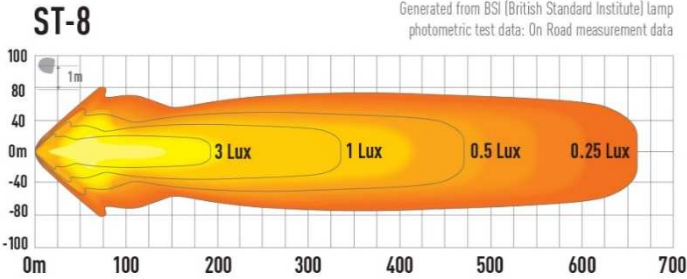
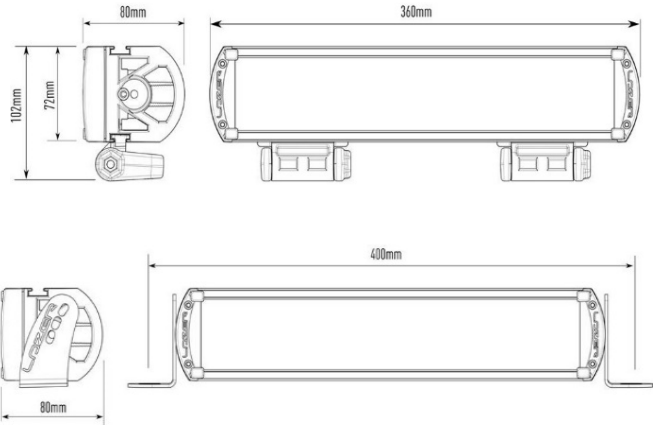


TECHNICAL SPECIFICATIONS

E-MARK REF	12.5
VOLTAGE RANGE	9V-32V
RAW LUMENS	6944
BEAM PATTERN	Hybrid
OPTICAL EFFICIENCY	88%
BEAM DISTANCE (0.25LX)	662m
# HIGH POWER LEDS	8
POWER CONSUMPTION	86 Watts
CURRENT DRAW**	6 Amps
LED LIFE	50,000 Hrs*
WEIGHT	1380 Grams

* LED Manufacturers Specifications ** At 14.4 Volts

- Dual optic reflector system delivers class leading distance and mid-range spread of light
- Fully ECE approved for on-road use
- Highest output LED 'bins' selected for optimal performance
- CAE optimised heatsink and electronic thermal management
- 'Unbreakable' polycarbonate lens



MOUNTING OPTIONS



(Side Brackets Sold Separately)

LAZER LAMPS LTD
 Unit 2 Pages Old Mill, Tamworth Road, Hertford, SG13 7DG, UK
 Tel: +44(0)1992 677071
 Email: sales@lazerlamps.com
 www.lazerlamps.com

